

亿联 AP08 Dante 数字音频处理器

亿联 AP08 DSP是一款领先概念的数字信号处理器，旨在通过其卓越的自动化功能提升您的会议体验。AP08 DSP最大支持16*16 Dante音频通道，包含8个支持动态AEC+智能噪声消除+智能混响抑制的声音优化通道，同时兼容4*4模拟音频通道，拥有两个可以同时工作的USB3.0 Type-B设备接口，确保音频传输流畅、通话清晰明了。搭配 Room Designer软件，AP08 DSP将自动化设计和声学环境自适应技术完美融合，为您的会议设定了全新的音频质量和便利标准。让Yealink AP08 DSP成为您会议的首选，享受卓越的音频体验。



16*16 Dante通道



8个AEC通道



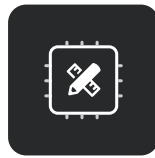
支持Designer设计软件



AI声音优化



免配置一键部署



智能化设计



声学自适应



双USB接口

重点特征

灵活链路，自由定制

亿联AP08 DSP支持16*16 Dante音频通道，其中8个通道配备动态AEC等算法处理能力；拥有4*4模拟音频通道和两个USB-B设备接口。通过Room Designer，灵活配置音频链路和算法模块，满足个性化定制需求，体验卓越的音频传输与清晰通话。

智能方案设计

亿联独家智能方案设计功能，搭配 Room Designer软件，只需提供会议室基础数据，即可快速提供完整的部署设计。最终结果包含设备数量，部署位置，音频链路等部署关键信息，可以有效降低部署学习成本，轻松实现高效的音频解决方案设计。

一键部署，声学环境自适应

Yealink AP08 支持免配置一键部署功能，只需将一套 Yealink SkySound 音频设备接入同一网络，即可在几分钟内自动搭建音频链路，并针对房间环境进行定制化调音。这项功能不仅节省了时间和精力，还能够显著降低项目的部署成本。

Dante 音频，原生 Teams 方案

搭配亿联 MVC 原生 Teams 会议室方案，亿联方案为您全场景的 Dante 音频体验。使用 MVC 会议室控制面板即可完成整个房间的音频控制，支持 Mute 同步，自动 EQ 等深度集成功能，为您带来一站式的音视频会议体验。

技术参数

Dante 通道

- 输入通道: 16 Dante 输入
- 包含 8 个 AEC 通道
- 输出通道: 16 Dante 输出
- 频响范围: 50-20KHz
- THD+N 总谐波失真: < 1%
- 采样率: 48KHz
- 位深: 24bit
- 动态范围: 86dB

模拟通道

- 输入通道: 2 个 RCA 输入
2 个 3-pin 凤凰端子模拟输入
- 输出通道: 2 个 RCA 输出
2 个 3-pin 凤凰端子模拟输出
- 频响范围: 20-20KHz
- THD+N 总谐波失真: < 1%
- 输入动态范围: 96dB
- 输出动态范围: 98dB
- 等效底噪: RCA (非平衡): -94dBu
Analog (平衡): -86dBu
- 模拟输入增益范围: 0 to 64dB
- 模拟输出限幅范围: -40dBu to 24dBu
- Analog in 幻象电源: +48VDC 10 mA max

USB 通道

- 输入通道: 2 个 USB 输入通道
- 输出通道: 2 个 USB 输出通道
- 采样率: 48KHz
- 位深: 16bit/24bit

控制接口

- MGMT: 1 个网络控制接口
- RS232: 1 个 3-pin 凤凰端子接口
- GPIO in: 8-pin 凤凰端子, 模拟输入或触点闭合 (最大 24V), 可切换 5V 上拉
- GPIO out: 8-pin 凤凰端子, 开路输出 (最大 24V, 0.3A), 默认 +3.3V
- +12VDC: 0.1A
- GND: 接地

LAN 接口

- LAN 1-3: Dante 音频接口
- 供电能力: 每个接口支持 PoE+ 供电 IEEE802.3at
总功率最大输出 90W

产品设计

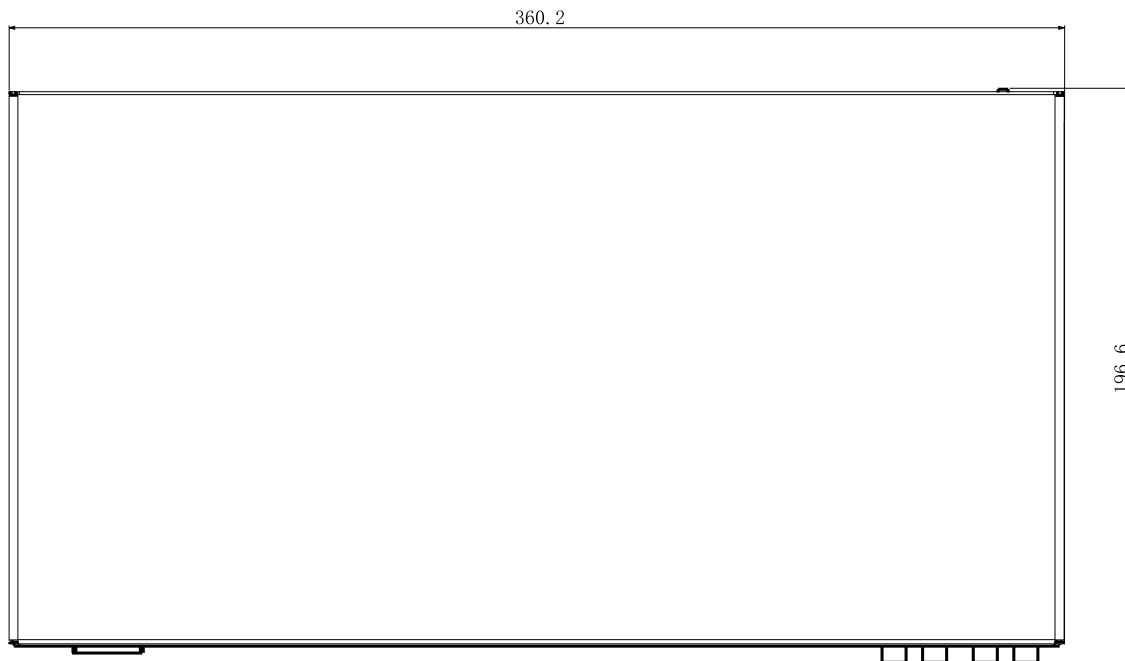
- 产品尺寸: L360*W189*H44mm
- 产品重量: 2.2kg
- 产品颜色: 高级黑
- 产品材质: SGCC
- 工作温度: 0-40°C
- 工作湿度: 0-93%RH

物流信息

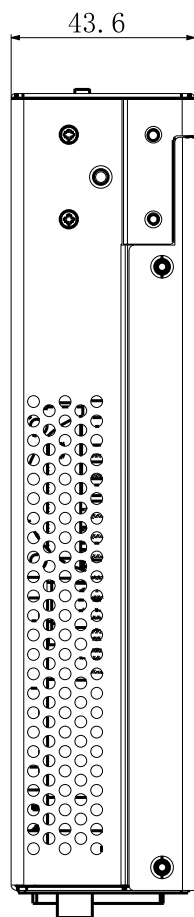
- 彩盒尺寸: 410*325*70mm
- 重量: 净重 2.8kg
毛重 3.2kg
- 储存温度: -30-70°C

尺寸图

单位为 mm



AP08 设备接口

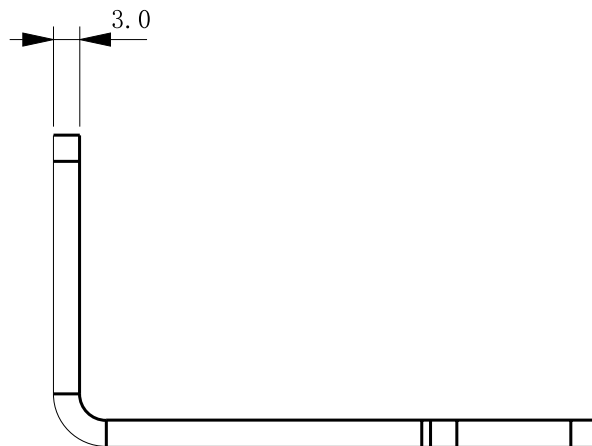
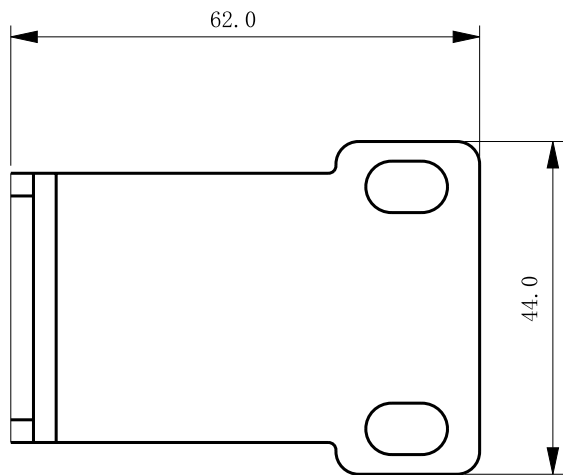


RCA in	2 * RCA 非平衡模拟输入
RCA out	2 * RCA 非平衡模拟输出
Analog in	2 * 3-Pin 凤凰端子平衡模拟输入，支持 48V 幻象电源
Analog out	2 * 3-Pin 凤凰端子平衡模拟输出
GPIO in	1-8 输入，模拟输入或触点闭合（最大 24V），可切换 5V 上拉
GPIO out	1-8 输出，开路输出（最大 24V, 0.3A），默认 +3.3V。
+12VDC	0.1A
GND	接地
RS-232	接口控制
USB Type-B	2 * USB 3.0 设备接口
MGMT	网络接口控制
LAN	3 * RJ-45 Dante PoE+ 供电接口
Power	100-240 V, 50/60 Hz, 2A

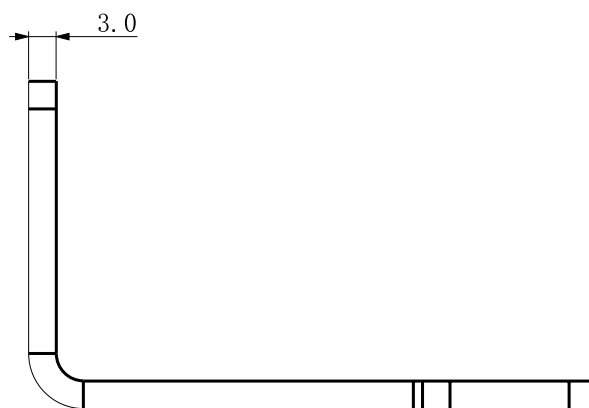
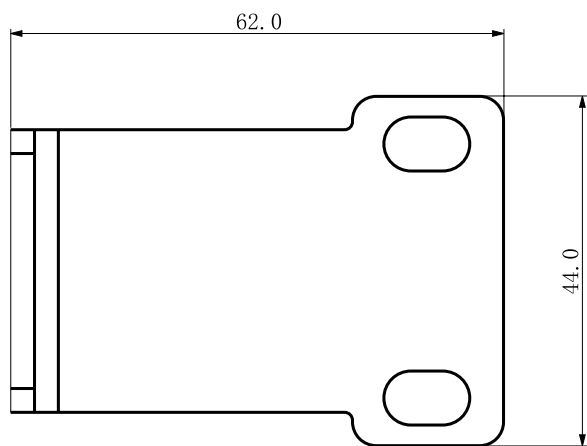
配件尺寸图

单位为 mm

挂耳 - 左



挂耳 - 右





关于亿联

厦门亿联网络技术股份有限公司（股票代码：300628）是全球领先的沟通与协作解决方案提供商，提供国际品质、技术领先、体验友好的云+端视频会议、IP 语音通信及协作解决方案，且与微软等国际品牌达成长期深度的战略合作。

亿联网络以研发为核心，坚持自主创新，拥有多项音视频核心技术专利，致力于让沟通更简单、更高效。专注统一通信领域，包括视频会议、语音通信、个人协作通信，以及数字化时代下的智慧办公，帮助各类企事业单位提高效率和竞争力。

其自主品牌 Yealink 畅销美国、英国、澳大利亚等 140 多个国家和地区，根据 2021 年 Frost&Sullivan 的统计数据，IP 话机市场占有率为全球第一；VoIP Phones Customer Satisfaction Report 2018 Licensed for Distribution Eastern Management Group 数据显示用户满意度全球第一；根据 IDC 2021 年全球视频会议市场统计数据，全球视频会议系统出货量 TOP5。

版权所有

Copyright © 2024 厦门亿联网络技术股份有限公司

本手册版权归厦门亿联网络技术股份有限公司所有，未经书面许可，不得以任何形式、任何手段（电子、机械、影印、录音或其他方式）或出于任何目的复制或传播本文档中的任何部分。

技术支持

请访问 <http://support.yealink.com/> 获取最新的固件版本、产品手册等材料，FAQ 中可以找到常见问题及解决方案，为了方便您更好的获取相关的技术支持服务，您可登录 <https://ticket.yealink.com> 提交您的相关问题，我们将有专业人员为您解答。



厦门亿联网络技术股份有限公司
网址：www.yealink.com.cn
地址：福建省厦门市湖里高新园区
护安路 666 号亿联研发总部大楼
Copyright © 2024 厦门亿联网络技术股份有限公司



Yealink AP08 Dante Digital Signal Processor

Yealink AP08 DSP, a cutting-edge digital signal processor, aims to enhance your meeting experience with its exceptional automation capabilities. With support for up to 16x16 Dante audio channels, including 8 optimized channels with dynamic AEC, intelligent noise cancellation, and reverberation suppression, coupled with 4x4 analog audio channels and two simultaneous USB 3.0 Type-B device interfaces, AP08 DSP ensures smooth audio transmission and clear communication. Combined with Room Designer software, AP08 DSP seamlessly integrates automated design and acoustic environment adaptive technology, setting a new standard for audio quality and convenience in your meetings. Make Yealink AP08 DSP your preferred choice and enjoy an outstanding audio experience.



16*16 Dante Channel



8 AEC Channels



Yealink Room Designer



AI-Based Sound Optimization



One-button Deployment



Intelligent Design



Acoustic Adaptation



Dual USB Interface

Key Features and Benefits

Flexible Customization

Yealink AP08 DSP supports 16x16 Dante audio channels with 8 channels featuring dynamic AEC algorithms. It also includes 4x4 analog channels and two USB-B device interfaces. With Room Designer, configure audio routing and algorithm modules to meet customized needs, ensuring exceptional audio transmission and clear communication.

Intelligent Solution Design

Yealink's exclusive automated design, paired with Room Designer software, provides complete deployment design based on basic room data. The final result includes device quantity, placement, audio links, reducing deployment learning costs for easy and efficient audio solution design.

One-button Custom Deploy

Yealink AP08 supports effortless plug-and-play deployment. Simply connect a set of Yealink SkySound audio devices to the same network, and within minutes, the audio links are automatically established and customized for room acoustics. This feature saves time, effort, and significantly reduces deployment costs.

Dante Audio for Teams Room

Enhance your audio experience with Yealink's native Teams meeting room solution, seamlessly integrated with MVC. Complete room audio control through the MVC control panel, supporting synchronized mute, automatic EQ, and advanced features for a comprehensive audiovisual conferencing experience.

Specifications

Dante Channels

- Input Channels: 16 Dante input
 - 8 AEC channels
- Output Channels: 16 Dante output
- Frequency Response: 50-20KHz
- THD+N: < 1%
- Sampling Rate: 48KHz
- Bit Depth: 24bit
- Dynamic Range: 86dB

Analog Channels

- Input Channels: 2 * RCA input
 - 2 * 3-pin Analog input
- Output Channels: 2 * RCA output
 - 2 * 3-pin Analog output
- Frequency Response: 20-20KHz
- THD+N: < 1%
- Input Dynamic Range: 96dB
- Output Dynamic Range: 98dB
- Self-Noise: RCA (Unbalanced): -94dBu
 - Analog (Balanced): -86dBu
- Input Clipping Range: 0 to 64dB
- Output Sensitivity Range: -40dBu to 24dBu
- Phantom power: +48VDC 10 mA max

USB Channels

- Input Channels: 2 * USB input
- Output Channels: 2 * USB output
- Sampling Rate: 48KHz
- Bit Depth: 16bit/24bit

Control Ports

- MGMT: RJ-45 for API contro
- RS232: 1 * 3-pin Poenix port
- GPIO in: 8-pin Poenix port, 1-8 inputs, Analog input or contact closure (up to 24V) with switchable 5V pull-up
- GPIO out: 8-pin Poenix port, 1-8 outputs, open-drain output (up to 24V, 0.3A), default state +3.3V
- +12VDC: 0.1A
- GND: Earth

LAN Ports

- LAN 1-3: Dante network port
- Power Supply: Each port supports IEEE802.3at PSE Total maximum PSE 90W

Product Design

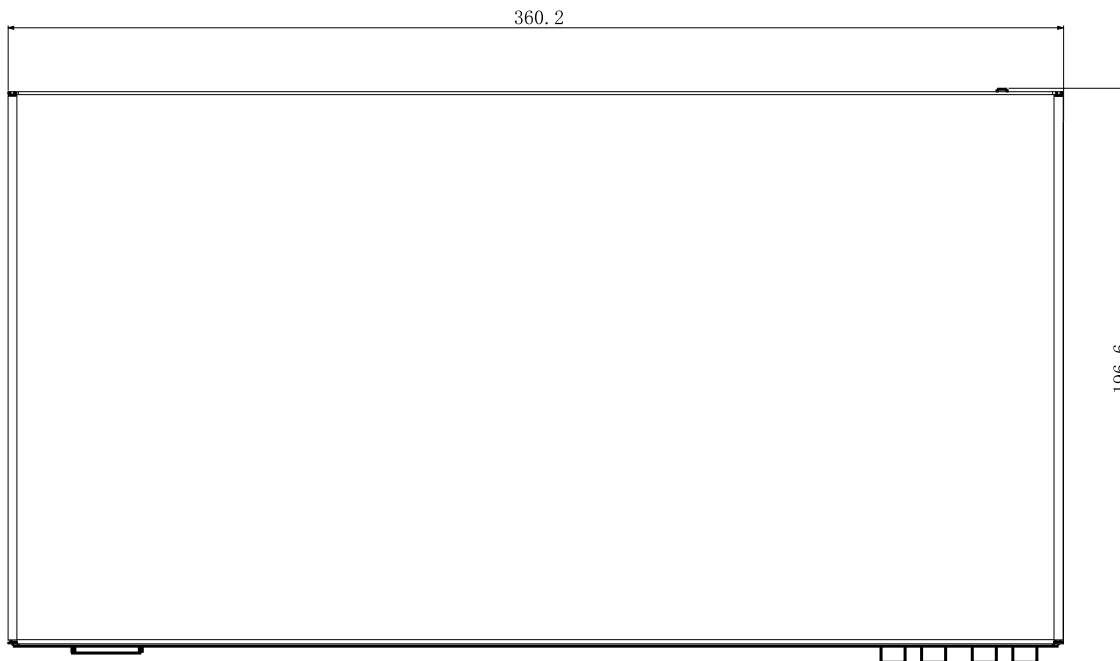
- Size : L360*W189*H44mm
- Weight: 2.2kg
- Color: Advanced Black
- Material: SGCC
- Operating Temperature: 0-40°C
- Operating humidity: 0-93% RH

Logistic Information

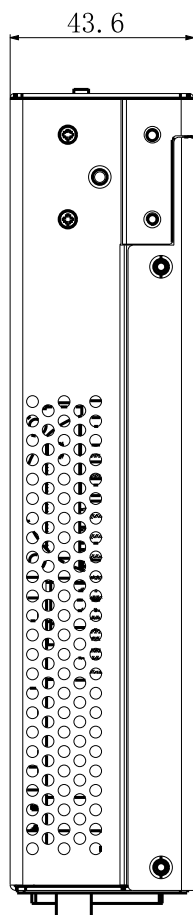
- Giftbox: 410*325*70mm
- Weight: N.W/CTN 2.8kg
 - G.W/CTN 3.2kg
- Storage Temperature: -30-70°C

Dimensions

Unit: mm



Interface

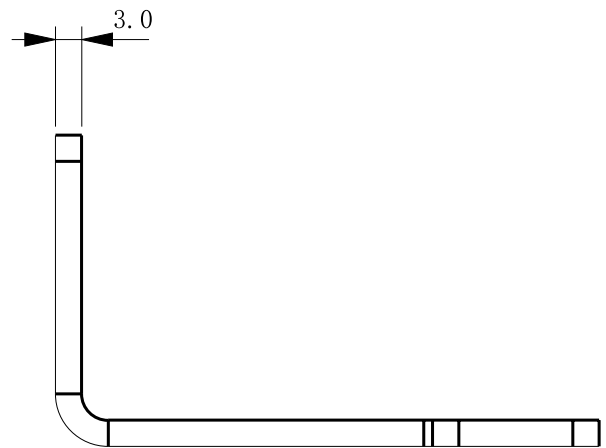
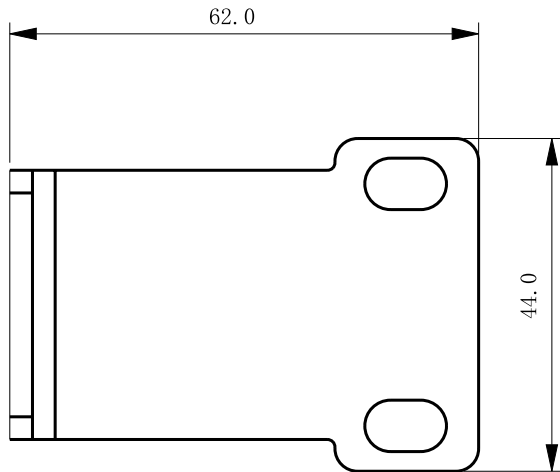


RCA in	2 * RCA unbalanced analog input
RCA out	2 * RCA unbalanced analog output
Analog in	2 * 3-Pin Phoenix connectors for balanced analog input, supports 48V phantom power
Analog out	2 * 3-Pin Phoenix connectors for balanced analog input.
GPIO in	1-8 input, simulated input or contact closure (maximum 24V), switchable 5V pull-up
GPIO out	1-8 output, open-drain output (maximum 24V, 0.3A), default +3.3V.
+12VDC	0.1A
GND	Earth ground
RS-232	Interface control
USB Type-B	2 * USB 3.0 device interfaces
MGMT	Network Interface Control
LAN	3 * RJ-45 Dante PoE+ powered interfaces
Power	100-240 V, 50/60 Hz, 2A

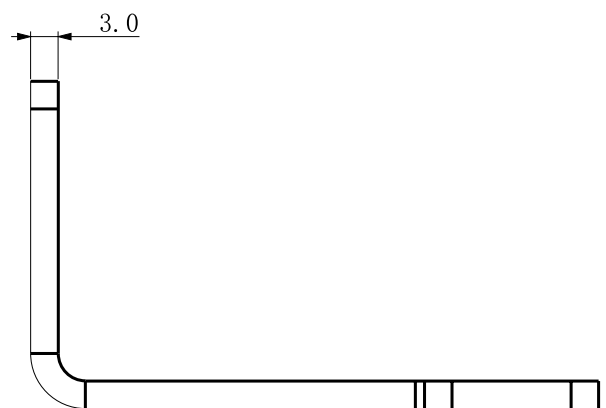
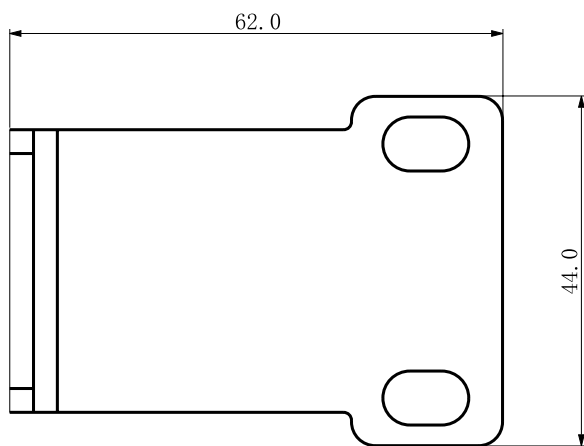
Accessory Dimensions

Unit: mm

Mounting ear-left



Mounting ear-right





About Yealink

Yealink (Stock Code: 300628) is a global-leading provider of Unified Communication & Collaboration Solutions specialized in video conferencing, voice communications, and collaboration, dedicated to helping every person and organization embrace the power of "Easy Collaboration, High Productivity".

With best-in-class quality, innovative technology, and user-friendly experiences, Yealink is one of the best providers in more than 140 countries and regions, ranks No.1 in the global market share of IP Phone, and is the Top 5 leader in the video conferencing market (Frost & Sullivan, 2021).

For more information about Yealink, [click here](#).

Copyright

Copyright © 2023 YEALINK(XIAMEN) NETWORK TECHNOLOGY CO., LTD.

All rights reserved. No parts of this publication may be reproduced or transmitted in any form or by any means, electronic or mechanical, photocopying, recording, or otherwise, for any purpose, without the express written permission of Yealink(Xiamen) Network Technology CO., LTD.

Technical Support

Visit Yealink WIKI (<http://support.yealink.com/>) for firmware downloads, product documents, FAQ, and more. For better service, we sincerely recommend you to use Yealink Ticketing system (<https://ticket.yealink.com>) to submit all your technical issues.



YEALINK(XIAMEN) NETWORK TECHNOLOGY CO.,LTD.
Web: www.yealink.com
Addr: No.666 Hu'an Road, High Tech Park,
Huli District, Xiamen, Fujian, P.R.C
Copyright©2023 Yealink Inc. All rights reserved.